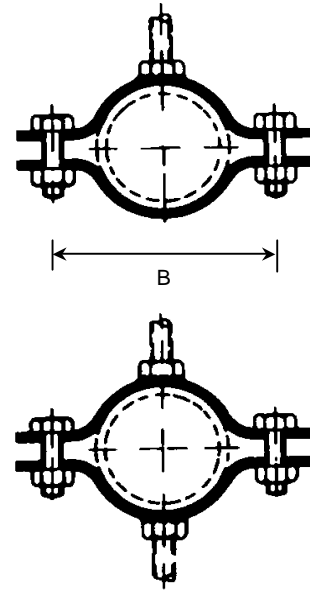


# Bossed Split Band Clip Single & Double for Steel Pipe

B 004

Nominal Pipe Size		B	Boss Size	Material	Bolt Size
Imperial	Metric				
1/2	15	59	m10	25 x 3	m6 x 25
3/4	20	65	m10	25 x 3	m6 x 25
1	25	72	m10	25 x 3	m6 x 25
1 1/4	32	92	m10	30 x 3	m10 x 30
1 1/2	40	98	m10	30 x 3	m10 x 30
2	50	110	m10	30 x 3	m10 x 30
2 1/2	65	126	m10	30 x 3	m10 x 30
3	80	149	m10 or m12	40 x 3	m10 x 30
4	100	174	m10 or m12	40 x 3	m12 x 40
5	125	210	m10 or m12	40 x 5	m12 x 40
6	150	235	m10 or m12	40 x 5	m12 x 40
7	175	275	m16	50 x 6	m16 x 50
8	200	300	m16	50 x 6	m16 x 50
9	225	325	m16 or m20	50 x 6	m16 x 50
10	250	350	m16 or m20	50 x 6	m16 x 50
12	300	400	m16 or m20	50 x 6	m16 x 50

Standard Finish Red Oxide



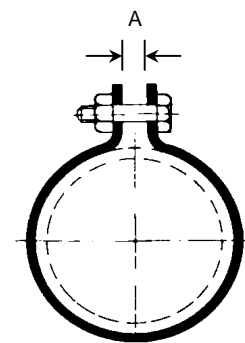
# Single Band Clip for Steel Pipe

B 005

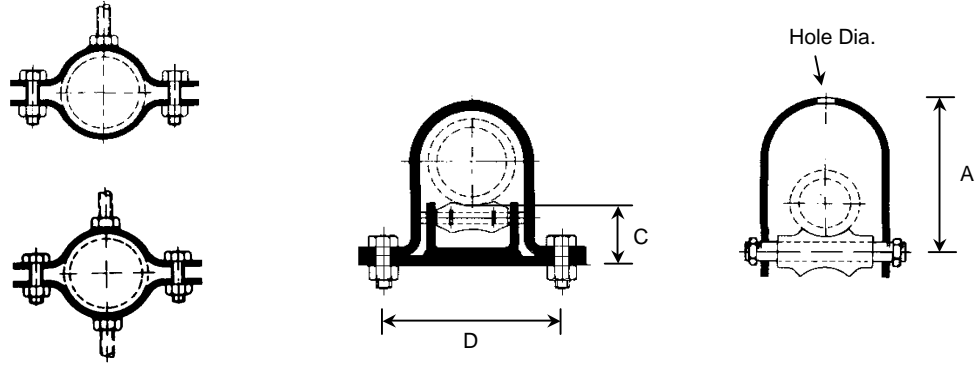
Nominal Pipe Size		A	Material	Bolt Size
Imperial	Metric			
1/2	15	8	25 x 1.5	m6 x 25
3/4	20	8	25 x 1.5	m6 x 25
1	25	8	25 x 1.5	m6 x 25
1 1/4	32	12	30 x 1.5	m10 x 30
1 1/2	40	12	30 x 1.5	m10 x 30
2	50	12	30 x 1.5	m10 x 30
2 1/2	65	12	30 x 1.5	m10 x 30
3	80	12	30 x 1.5	m10 x 30
4	100	14	30 x 3	m12 x 40
5	125	14	30 x 3	m12 x 40
6	150	14	30 x 3	m12 x 40
7	175	18	40 x 5	m16 x 50
8	200	18	40 x 5	m16 x 50

15mm - 80mm Pre-Galvanized Strip

100mm - 200mm Standard Finish Red Oxide



# Supports To Suit Insulation



Insulation o/d	B 004 Bossed Split Band Clip			B 009 Roller Chair & Guide Assembly			B 010 Single Roller Bracket		
	Boss Size	Material Size	Bolt Size	C	D	Bolt Size	A	Hole Dia.	Material Size
45	m10	25 x 3	m6 x 25	34	105	m10 x 30	97	12	30 x 3
54	m10	25 x 3	m6 x 25	34	116	m10 x 30	118	12	30 x 3
65	m10	25 x 3	m6 x 25	42	140	m10 x 30	136	12	30 x 3
70	m10	25 x 3	m6 x 25	42	140	m10 x 30	136	12	30 x 3
76	m10	30 x 3	m10 x 30	42	140	m10 x 30	136	12	30 x 3
83	m10	30 x 3	m10 x 30	42	180	m12 x 40	190	14	40 x 3
89	m10	30 x 3	m10 x 30	42	180	m12 x 40	190	14	40 x 3
95	m10	30 x 3	m10 x 30	42	180	m12 x 40	190	14	40 x 3
102	m10	30 x 3	m10 x 30	42	180	m12 x 40	190	14	40 x 3
108	m10	30 x 3	m10 x 30	42	180	m12 x 40	190	14	40 x 3
114	m10 or m12	40 x 3	m12 x 40	42	180	m12 x 40	190	14	40 x 3
121	m10 or m12	40 x 3	m12 x 40	60	230	m16 x 50	250	19	50 x 6
127	m10 or m12	40 x 3	m12 x 40	60	230	m16 x 50	250	19	50 x 6
133	m10 or m12	40 x 3	m12 x 40	60	230	m16 x 50	250	19	50 x 6
139	m10 or m12	40 x 3	m12 x 40	60	230	m16 x 50	250	19	50 x 6
146	m10 or m12	40 x 3	m12 x 40	60	230	m16 x 50	250	19	50 x 6
152	m10 or m12	40 x 3	m12 x 40	60	230	m16 x 50	250	19	50 x 6
159	m10 or m12	40 x 3	m12 x 40	60	230	m16 x 50	250	19	50 x 6
168	m10 or m12	40 x 3	m12 x 40	60	230	m16 x 50	250	19	50 x 6
173	m10 or m12	40 x 3	m12 x 40	60	230	m16 x 50	250	19	50 x 6
178	m10 or m12	40 x 3	m12 x 40	60	230	m16 x 50	250	19	50 x 6
186	m10 or m12	40 x 5	m12 x 40	90	350	m16 x 50	300	23	60 x 8
193	m10 or m12	40 x 5	m12 x 40	90	350	m16 x 50	300	23	60 x 8
199	m10 or m12	40 x 5	m12 x 40	90	350	m16 x 50	300	23	60 x 8
208	m10 or m12	40 x 5	m12 x 40	90	380	m16 x 50	300	23	60 x 8
216	m10 or m12	40 x 5	m12 x 40	90	380	m16 x 50	300	23	60 x 8
225	m10 or m12	40 x 5	m12 x 40	90	380	m16 x 50	300	23	60 x 8
232	m10 or m12	40 x 5	m12 x 40	115	430	m20 x 70	370	23	60 x 8
244	m10 or m12	40 x 5	m12 x 40	115	430	m20 x 70	370	23	60 x 8
252	m10 or m12	40 x 5	m12 x 40	115	430	m20 x 70	370	23	60 x 8
259	m10 or m12	40 x 5	m12 x 40	115	430	m20 x 70	370	23	60 x 8
268	m10 or m12	40 x 5	m12 x 40	115	430	m20 x 70	370	23	60 x 8
273	TBA	50 x 6	m16 x 50	115	430	m20 x 70	370	23	60 x 8
283	TBA	50 x 6	m16 x 50	125	490	m20 x 70	420	23	60 x 8
290	TBA	50 x 6	m16 x 50	125	490	m20 x 70	420	23	60 x 8
299	TBA	50 x 6	m16 x 50	125	490	m20 x 70	420	23	60 x 8
308	TBA	50 x 6	m16 x 50	125	490	m20 x 70	420	23	60 x 8
323	TBA	50 x 6	m16 x 50	125	490	m20 x 70	420	23	60 x 8

Larger Sizes On Request

Standard Finish Red Oxide

B 009 & B 010 Cast Roller Up To 178 i/d Zinc Plated - There After Self Colour

Other Types Of Supports Available

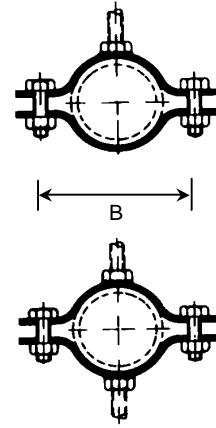
Telephone: 020 8591 9588 Facsimile: 020 8591 9540  
e-mail: sales@barnvale.co.uk website: barnvale.co.uk

# Split Band Clip 2 Bolt for Cast Iron Pipe

B 019

Pipe N.B. Metric	Material	Bolt Size	Boss Size	Cast Iron Drain BS437	
				Pipe Dia.	B
50	30 x 3	m10 x 30	m10	65	112
65	30 x 3	m10 x 30	m10		
75	30 x 3	m10 x 30	m10	92	142
90	30 x 3	m10 x 30	m10		
100	40 x 3	m12 x 40	m12	119	182
125	40 x 5	m12 x 40	m12		
150	40 x 5	m12 x 40	m12	173	242
225	50 x 6	m16 x 50	m16	256	337

Standard Finish Red Oxide

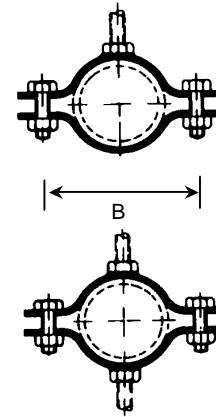


# Split Band Clip 2 Bolt for Cast Iron Pipe

B 019

Pipe N.B. Metric	Material	Bolt Size	Boss Size	Cast Iron Soil (LCC) BS416	
				Pipe Dia.	B
50	30 x 3	m10 x 30	m10	63	110
65	30 x 3	m10 x 30	m10	76	126
75	30 x 3	m10 x 30	m10	89	139
90	30 x 3	m10 x 30	m10	101	152
100	40 x 3	m12 x 40	m12	114	176
125	40 x 5	m12 x 40	m12	140	210
150	40 x 5	m12 x 40	m12	165	235

Standard Finish Red Oxide



# Bossed Split Band Clip Single & Double for Copper Pipe

B 028

Nominal Pipe Size		B	Boss Size	Material	Bolt Size
Imperial	Metric				
1/2	15	46	m10	25 x 3	m6 x 25
3/4	22	59	m10	25 x 3	m6 x 25
1	28	65	m10	25 x 3	m6 x 25
1 1/4	35	72	m10	25 x 3	m6 x 25
1 1/2	42	92	m10	30 x 3	m10 x 30
2	54	104	m10	30 x 3	m10 x 30
2 1/2	66	116	m10	30 x 3	m10 x 30
3	76	126	m10	30 x 3	m10 x 30
4	108	158	m10	30 x 3	m10 x 30
5	133	193	m10 or m12	40 x 3	m12 x 40
6	159	219	m10 or m12	40 x 3	m12 x 40

Standard Finish Nylon Coated

