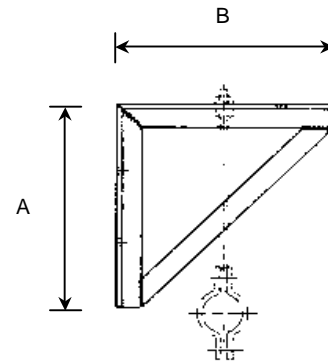


Cantilever Bracket

B 041

Ref.	A	B	Material
1	300	300	40 x 40 x 5
2	300	300	50 x 50 x 6
3	300	450	40 x 40 x 5
4	300	600	40 x 40 x 5
5	450	450	50 x 50 x 6
6	450	600	50 x 50 x 6
7	600	600	50 x 50 x 6

Standard Finish Red Oxide

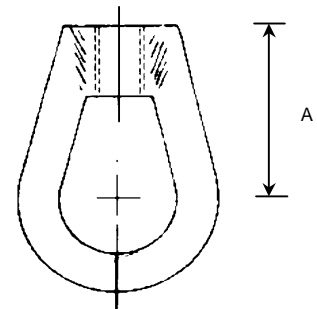


Bow Nut

B 042

Thread Size	A	Safe Working Load
m10	49	360 Kgf
m12	53	530 Kgf
m16	51	1010 Kgf
m20	74	1580 Kgf
m24	90	2280 Kgf
m30	105	3650 Kgf
m36	102	5340 Kgf
m42	129	7400 Kgf

m10 - m24 Standard Finish Zinc Plated
m30 - m42 Standard Finish Self Colour



Ball Swivel

B 043

Thread Size	Body	Thread Length
m8	30	40
m10	30	40
m12	60	40

Standard Finish Zinc Plated

