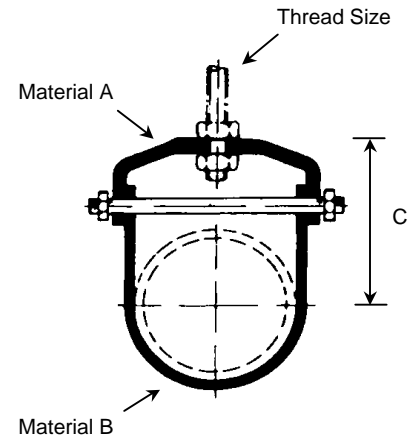


# Clevis Hanger for Steel Pipe

B 006

Nominal Pipe Size		C	Thread Size	Material A	Material B
Imperial	Metric				
1/2	15	60	m6	25 x 3	25 x 3
3/4	20	63	m6	25 x 3	25 x 3
1	25	66	m6	25 x 3	25 x 3
1 1/4	32	72	m10	30 x 3	30 x 3
1 1/2	40	76	m10	30 x 3	30 x 3
2	50	80	m10	30 x 3	30 x 3
2 1/2	65	105	m10	30 x 3	30 x 3
3	80	115	m12	40 x 5	40 x 3
4	100	140	m12	40 x 5	40 x 3
5	125	160	m16	50 x 6	50 x 6
6	150	183	m16	50 x 6	50 x 6
7	175	200	m20	50 x 10	50 x 6
8	200	215	m20	50 x 10	50 x 6
9	225	230	m20	50 x 10	50 x 6
10	250	250	m20	50 x 10	50 x 6
12	300	283	m20	50 x 10	50 x 6

Standard Finish Red Oxide

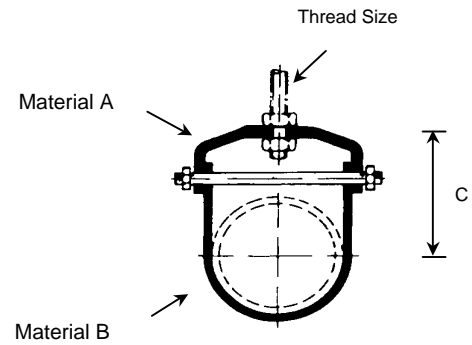


# Clevis Hanger for Cast Iron Pipe

B 023

Pipe N.B.		Cast Iron Drain BS437			
Metric	Pipe Dia.	C	Thread Size	Material A	Material B
50	65	84	m10	30 x 3	30 x 3
65			m10	30 x 3	30 x 3
75	92	113	m12	40 x 5	40 x 3
90			m12	40 x 5	40 x 3
100	119	145	m12	40 x 5	40 x 3
125			m12	40 x 5	40 x 3
150	173	191	m12	40 x 5	40 x 3
225	256	247	m16	50 x 6	50 x 6

Standard Finish Red Oxide



# Clevis Hanger for Cast Iron Pipe

B 023

Pipe N.B.		Cast Iron Soil (LCC) BS416			
Metric	Pipe Dia.	C	Thread Size	Material A	Material B
50	63	82	m10	30 x 3	30 x 3
65	76	105	m10	30 x 3	30 x 3
75	89	110	m12	40 x 5	40 x 3
90	101	125	m12	40 x 5	40 x 3
100	114	140	m12	40 x 5	40 x 3
125	140	160	m12	40 x 5	40 x 3
150	165	183	m12	40 x 5	40 x 3

Standard Finish Red Oxide

