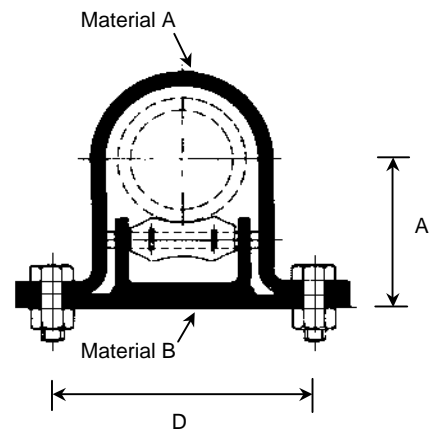


Roller Chair & Guide Assembly for Steel Pipe

B 009

Nominal Pipe Size		A	D	Material A	Material B	Bolt Size
Imperial	Metric					
1/2	15	41	95	30 x 3	30 x 5	m10 x 30
3/4	20	44	95	30 x 3	30 x 5	m10 x 30
1	25	47	95	30 x 3	30 x 5	m10 x 30
1 1/4	32	55	105	30 x 3	30 x 5	m10 x 30
1 1/2	40	58	105	30 x 3	30 x 5	m10 x 30
2	50	72	116	30 x 3	30 x 5	m10 x 30
2 1/2	65	80	140	30 x 3	30 x 5	m10 x 30
3	80	87	180	40 x 3	40 x 5	m12 x 40
4	100	99	180	40 x 3	40 x 5	m12 x 40
5	125	130	230	50 x 3	50 x 6	m16 x 50
6	150	144	230	50 x 3	50 x 6	m16 x 50
7	175	180	350	50 x 6	50 x 8	m16 x 50
8	200	200	380	50 x 6	50 x 8	m16 x 50
9	225	235	430	50 x 6	50 x 10	m20 x 70
10	250	250	430	50 x 6	50 x 10	m20 x 70
12	300	289	490	50 x 6	50 x 10	m20 x 70



Standard Finish Red Oxide

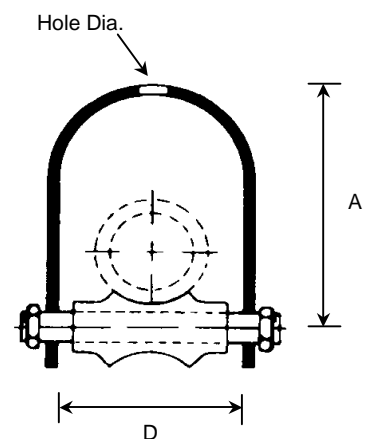
15mm To 65mm May Differ From Picture Reference

Cast Roller Zinc Plated Up To 150mm - There After Self Colour

Single Roller Bracket for Steel Pipe

B 010

Nominal Pipe Size		A	D	Hole Dia.	Material
Imperial	Metric				
1/2	15	80	50	12	30 x 3
3/4	20	80	50	12	30 x 3
1	25	80	50	12	30 x 3
1 1/4	32	97	65	12	30 x 3
1 1/2	40	97	65	12	30 x 3
2	50	118	70	12	30 x 3
2 1/2	65	136	92	12	30 x 3
3	80	190	130	14	40 x 3
4	100	190	130	14	40 x 3
5	125	250	180	19	50 x 6
6	150	250	180	19	50 x 6
7	175	300	215	23	60 x 8
8	200	300	240	23	60 x 8
9	225	355	292	23	60 x 8
10	250	355	292	23	60 x 8
12	300	410	342	23	60 x 8



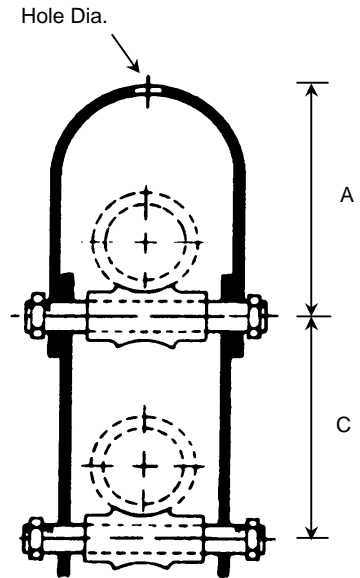
Standard Finish Red Oxide

Cast Roller Zinc Plated Up To 150mm - There After Self Colour

Double Roller Bracket for Steel Pipe

B 010

Nominal Pipe Size		A	C	Hole Dia.	Material
Imperial	Metric				
1/2	15	80	75	12	30 x 3
3/4	20	80	75	12	30 x 3
1	25	80	75	12	30 x 3
1 1/4	32	97	85	12	30 x 3
1 1/2	40	97	85	12	30 x 3
2	50	118	100	12	30 x 3
2 1/2	65	136	120	12	30 x 3
3	80	190	160	14	40 x 3
4	100	190	160	14	40 x 3
5	125	250	220	19	50 x 6
6	150	250	220	19	50 x 6
7	175	300	280	23	60 x 8
8	200	300	280	23	60 x 8
9	225	355	340	23	60 x 8
10	250	355	340	23	60 x 8
12	300	410	400	23	60 x 8



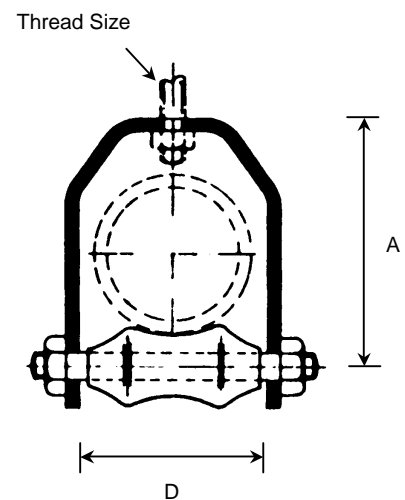
Standard Finish Red Oxide

Cast Roller Zinc Plated Up To 150mm - There After Self Colour

Heavy Duty Roller Bracket for Steel Pipe

B 010

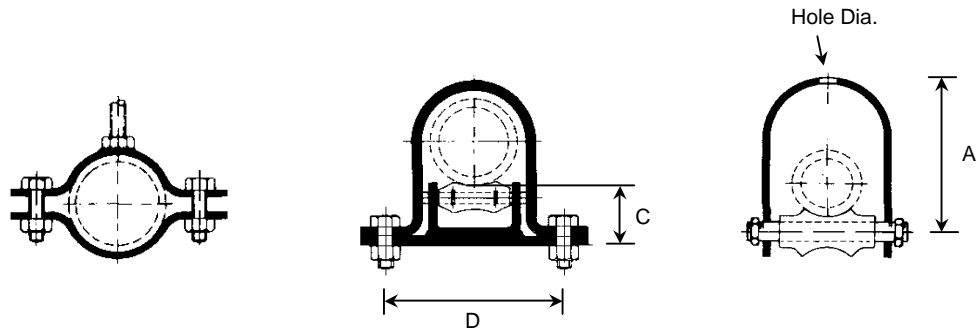
Nominal Pipe Size		A	D	Thread Size	Material
Imperial	Metric				
1/2	15	85	50	m10	30 x 5
3/4	20	85	50	m10	30 x 5
1	25	85	50	m10	30 x 5
1 1/4	32	100	65	m10	30 x 5
1 1/2	40	100	65	m10	30 x 5
2	50	120	70	m10	30 x 5
2 1/2	65	138	92	m10	30 x 5
3	80	195	130	m12	40 x 5
4	100	195	130	m12	40 x 5
5	125	255	180	m16	60 x 8
6	150	255	180	m16	60 x 8
7	175	310	215	m20	70 x 10
8	200	310	240	m20	70 x 10
9	225	365	292	m20	70 x 10
10	250	365	292	m20	70 x 10
12	300	420	342	m20	70 x 10



Standard Finish Red Oxide

Cast Roller Zinc Plated Up To 150mm - There After Self Colour

Supports To Suit Insulation



Insulation o/d	B 004 Bossed Split Band Clip			B 009 Roller Chair & Guide Assembly			B 010 Single Roller Bracket		
	Boss Size	Material Size	Bolt Size	C	D	Bolt Size	A	Hole Dia.	Material Size
45	m10	25 x 3	m6 x 25	34	105	m10 x 30	97	12	30 x 3
54	m10	25 x 3	m6 x 25	34	116	m10 x 30	118	12	30 x 3
65	m10	25 x 3	m6 x 25	42	140	m10 x 30	136	12	30 x 3
70	m10	25 x 3	m6 x 25	42	140	m10 x 30	136	12	30 x 3
76	m10	30 x 3	m10 x 30	42	140	m10 x 30	136	12	30 x 3
83	m10	30 x 3	m10 x 30	42	180	m12 x 40	190	14	40 x 3
89	m10	30 x 3	m10 x 30	42	180	m12 x 40	190	14	40 x 3
95	m10	30 x 3	m10 x 30	42	180	m12 x 40	190	14	40 x 3
102	m10	30 x 3	m10 x 30	42	180	m12 x 40	190	14	40 x 3
108	m10	30 x 3	m10 x 30	42	180	m12 x 40	190	14	40 x 3
114	m10 or m12	40 x 3	m12 x 40	42	180	m12 x 40	190	14	40 x 3
121	m10 or m12	40 x 3	m12 x 40	60	230	m16 x 50	250	19	50 x 6
127	m10 or m12	40 x 3	m12 x 40	60	230	m16 x 50	250	19	50 x 6
133	m10 or m12	40 x 3	m12 x 40	60	230	m16 x 50	250	19	50 x 6
139	m10 or m12	40 x 3	m12 x 40	60	230	m16 x 50	250	19	50 x 6
146	m10 or m12	40 x 3	m12 x 40	60	230	m16 x 50	250	19	50 x 6
152	m10 or m12	40 x 3	m12 x 40	60	230	m16 x 50	250	19	50 x 6
159	m10 or m12	40 x 3	m12 x 40	60	230	m16 x 50	250	19	50 x 6
168	m10 or m12	40 x 3	m12 x 40	60	230	m16 x 50	250	19	50 x 6
173	m10 or m12	40 x 3	m12 x 40	60	230	m16 x 50	250	19	50 x 6
178	m10 or m12	40 x 3	m12 x 40	60	230	m16 x 50	250	19	50 x 6
186	m10 or m12	40 x 5	m12 x 40	90	350	m16 x 50	300	23	60 x 8
193	m10 or m12	40 x 5	m12 x 40	90	350	m16 x 50	300	23	60 x 8
199	m10 or m12	40 x 5	m12 x 40	90	350	m16 x 50	300	23	60 x 8
208	m10 or m12	40 x 5	m12 x 40	90	380	m16 x 50	300	23	60 x 8
216	m10 or m12	40 x 5	m12 x 40	90	380	m16 x 50	300	23	60 x 8
225	m10 or m12	40 x 5	m12 x 40	90	380	m16 x 50	300	23	60 x 8
232	m10 or m12	40 x 5	m12 x 40	115	430	m20 x 70	370	23	60 x 8
244	m10 or m12	40 x 5	m12 x 40	115	430	m20 x 70	370	23	60 x 8
252	m10 or m12	40 x 5	m12 x 40	115	430	m20 x 70	370	23	60 x 8
259	m10 or m12	40 x 5	m12 x 40	115	430	m20 x 70	370	23	60 x 8
268	m10 or m12	40 x 5	m12 x 40	115	430	m20 x 70	370	23	60 x 8
273	TBA	50 x 6	m16 x 50	115	430	m20 x 70	370	23	60 x 8
283	TBA	50 x 6	m16 x 50	125	490	m20 x 70	420	23	60 x 8
290	TBA	50 x 6	m16 x 50	125	490	m20 x 70	420	23	60 x 8
299	TBA	50 x 6	m16 x 50	125	490	m20 x 70	420	23	60 x 8
308	TBA	50 x 6	m16 x 50	125	490	m20 x 70	420	23	60 x 8
323	TBA	50 x 6	m16 x 50	125	490	m20 x 70	420	23	60 x 8

Larger Sizes On Request

Standard Finish Red Oxide

B 009 & B 010 Cast Roller Up To 178 i/d Zinc Plated - There After Self Colour

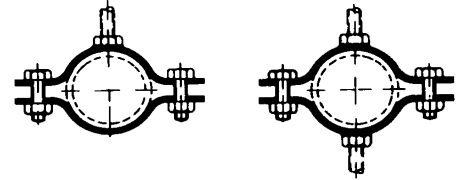
Other Types Of Supports Available

Telephone: 020 8591 9588 Facsimile: 020 8591 9540
e-mail: sales@barnvale.co.uk website: barnvale.co.uk

Bossed Split Band Clip Single & Double for Copper Pipe

B 028

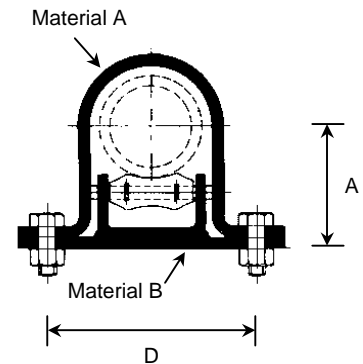
Please State Required Boss Size: m10 or m12
All Other Details As B 025 Table
Standard Finish Nylon Coated



Roller Chair & Guide Assembly for Copper Pipe

B 029

Nominal Pipe Size		A	D	Material A	Material B	Bolt Size
Imperial	Metric					
1/2	15	37	95	30 x 3	30 x 5	m10 x 30
3/4	22	41	95	30 x 3	30 x 5	m10 x 30
1	28	44	95	30 x 3	30 x 5	m10 x 30
1 1/4	35	47	95	30 x 3	30 x 5	m10 x 30
1 1/2	42	55	105	30 x 3	30 x 5	m10 x 30
2	54	69	116	30 x 3	30 x 5	m10 x 30
2 1/2	66	75	140	30 x 3	30 x 5	m10 x 30
3	76	80	140	30 x 3	30 x 5	m10 x 30
4	108	96	180	40 x 3	40 x 5	m12 x 40
5	133	127	230	50 x 3	50 x 6	m16 x 50
6	159	139	230	50 x 3	50 x 6	m16 x 50

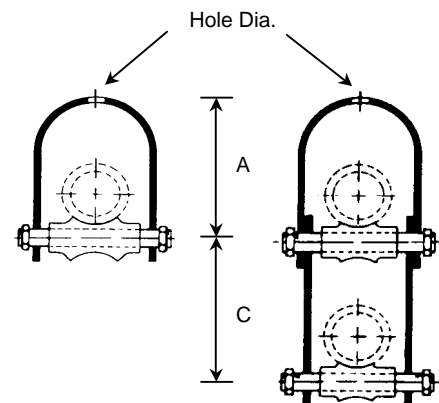


Standard Finish Guide Nylon Coated / Base Red Oxide c/w Nylon Roller
15mm To 76mm May Differ From Picture Reference

Single & Double Roller Bracket for Copper Pipe

B 030

Nominal Pipe Size		A	C	Hole Dia.	Material
Imperial	Metric				
1/2	15	80	75	12	30 x 3
3/4	22	80	75	12	30 x 3
1	28	80	75	12	30 x 3
1 1/4	35	80	75	12	30 x 3
1 1/2	42	97	85	12	30 x 3
2	54	118	100	12	30 x 3
2 1/2	66	118	100	12	30 x 3
3	76	136	120	14	40 x 3
4	108	190	160	14	40 x 3
5	133	250	220	19	50 x 6
6	159	250	220	19	50 x 6



Standard Finish Red Oxide c/w Nylon Roller

Roller & Chair for Copper Pipe

B 030A

Standard Finish Red Oxide c/w Nylon Roller
All Other Details On Request

