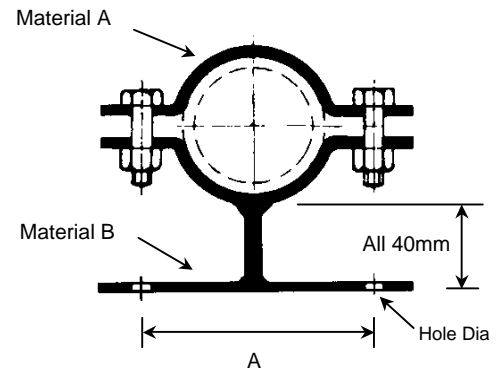


# Holder Bat for Steel Pipe

B 007

| Nominal Pipe Size |        | A   | Hole Dia | Material A | Material B | Bolt Size |
|-------------------|--------|-----|----------|------------|------------|-----------|
| Imperial          | Metric |     |          |            |            |           |
| 1/2               | 15     | 59  | 8        | 25 x 3     | 25 x 5     | m6 x 25   |
| 3/4               | 20     | 65  | 8        | 25 x 3     | 25 x 5     | m6 x 25   |
| 1                 | 25     | 72  | 8        | 25 x 3     | 25 x 5     | m6 x 25   |
| 1 1/4             | 32     | 92  | 12       | 30 x 3     | 30 x 5     | m10 x 30  |
| 1 1/2             | 40     | 98  | 12       | 30 x 3     | 30 x 5     | m10 x 30  |
| 2                 | 50     | 110 | 12       | 30 x 3     | 30 x 5     | m10 x 30  |
| 2 1/2             | 65     | 126 | 12       | 30 x 3     | 30 x 5     | m10 x 30  |
| 3                 | 80     | 149 | 14       | 40 x 3     | 40 x 5     | m10 x 30  |
| 4                 | 100    | 174 | 14       | 40 x 3     | 40 x 5     | m12 x 40  |
| 5                 | 125    | 210 | 14       | 40 x 5     | 40 x 5     | m12 x 40  |
| 6                 | 150    | 235 | 14       | 40 x 5     | 40 x 5     | m12 x 40  |

Standard Finish Red Oxide

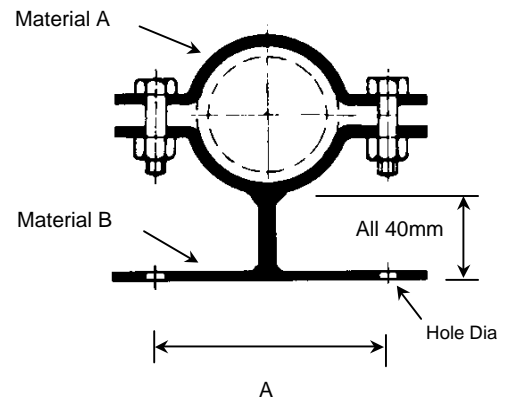


# Holder Bat for Cast Iron Pipe

B 024

| Pipe N.B. |           | Cast Iron Drain BS437 |     |
|-----------|-----------|-----------------------|-----|
| Metric    | Bolt Size | Pipe Dia.             | A   |
| 50        | m10 x 30  | 65                    | 105 |
| 65        | m10 x 30  |                       |     |
| 75        | m10 x 30  | 92                    | 139 |
| 90        | m10 x 30  |                       |     |
| 100       | m12 x 40  | 119                   | 181 |
| 125       | m12 x 40  |                       |     |
| 150       | m12 x 40  | 173                   | 233 |
| 225       | m16 x 50  | 256                   | 337 |

Standard Finish Red Oxide



| Pipe N.B. |           | Cast Iron Soil (LCC) BS416 |     |
|-----------|-----------|----------------------------|-----|
| Metric    | Bolt Size | Pipe Dia.                  | A   |
| 50        | m10 x 30  | 63                         | 105 |
| 65        | m10 x 30  | 76                         | 126 |
| 75        | m10 x 30  | 89                         | 139 |
| 90        | m10 x 30  | 101                        | 152 |
| 100       | m12 x 40  | 114                        | 174 |
| 125       | m12 x 40  | 140                        | 210 |
| 150       | m12 x 40  | 165                        | 228 |
| 225       | m16 x 50  |                            |     |

Standard Finish Red Oxide