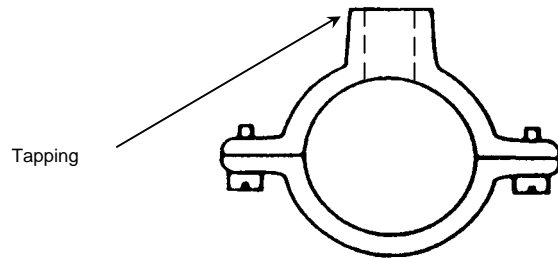


## Munsen Ring Single (Malleable Iron)

B 055

Nominal Pipe Size		Tapping
Imperial	Metric	
1/2	15	m10
3/4	20	m10
1	25	m10
1 1/4	32	m10
1 1/2	40	m10
2	50	m10
2 1/2	65	m10

Standard Finish Self Colour Or Galvanized

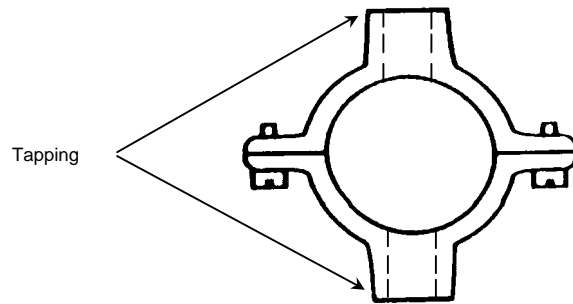


## Munsen Ring Double (Malleable Iron)

B 055

Nominal Pipe Size		Tapping
Imperial	Metric	
1/2	15	m10
3/4	20	m10
1	25	m10
1 1/4	32	m10
1 1/2	40	m10
2	50	m10
2 1/2	65	m10

Standard Finish Self Colour Or Galvanized

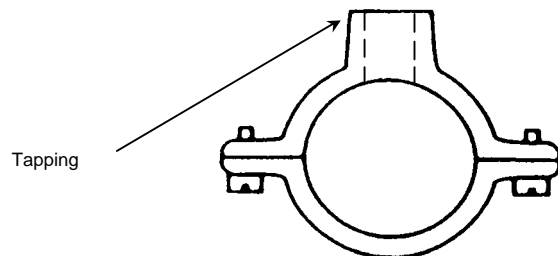


## Munsen Ring Single (Brass)

B 056

Nominal Pipe Size		Tapping
Imperial	Metric	
1/2	15	m10
3/4	22	m10
1	28	m10
1 1/4	35	m10
1 1/2	42	m10
2	54	m10

Standard Finish Brass



## Munsen Ring Double (Brass)

B 056

Nominal Pipe Size		Tapping
Imperial	Metric	
1/2	15	m10
3/4	22	m10
1	28	m10
1 1/4	35	m10
1 1/2	42	m10
2	54	m10

Standard Finish Brass

