

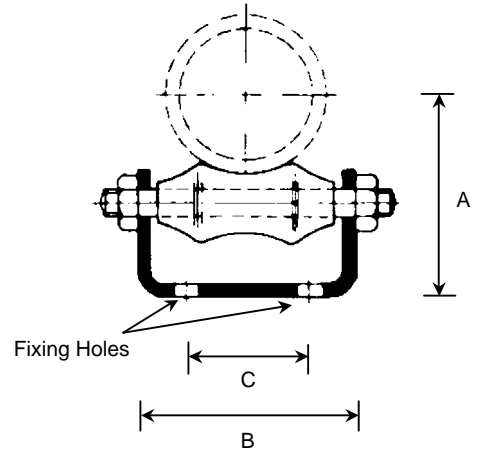
# Roller & Chair for Steel Pipe

B 011

Nominal Pipe Size		A	B	C	Material	Fixing Holes
Imperial	Metric					
1/2	15	49	60	12 x 25 Slot	30 x 5	12
3/4	20	52	60	12 x 25 Slot	30 x 5	12
1	25	55	60	12 x 25 Slot	30 x 5	12
1 1/4	32	59	60	12 x 25 Slot	30 x 5	12
1 1/2	40	62	60	12 x 25 Slot	30 x 5	12
2	50	68	60	12 x 25 Slot	30 x 5	12
2 1/2	65	76	80	12 x 25 Slot	30 x 5	12
3	80	111	112	50	40 x 5	12
4	100	123	112	50	40 x 5	12
5	125	150	170	70	50 x 6	14
6	150	164	170	70	50 x 6	14
7	175	187	231	102	50 x 8	19
8	200	200	256	115	50 x 8	19
9	225	233	312	127	50 x 10	19
10	250	245	312	127	50 x 10	19
12	300	300	362	152	50 x 10	19

Standard Finish Red Oxide

Cast Roller Zinc Plated Up To 150mm - There After Self Colour



# Roller & Chair for Copper Pipe

B 030A

Nominal Pipe Size		A	B	C	Material	Fixing Holes
Imperial	Metric					
1/2	15	46	60	12 x 25 Slot	30 x 5	12
3/4	22	49	60	12 x 25 Slot	30 x 5	12
1	28	52	60	12 x 25 Slot	30 x 5	12
1 1/4	35	56	60	12 x 25 Slot	30 x 5	12
1 1/2	42	59	60	12 x 25 Slot	30 x 5	12
2	54	65	60	12 x 25 Slot	30 x 5	12
2 1/2	66	71	80	12 x 25 Slot	30 x 5	12
3	76	76	80	12 x 25 Slot	30 x 5	12
4	108	93	112	50	40 x 5	12
5	133	167	170	50	40 x 5	12
6	159	180	170	50	40 x 5	12

Standard Finish Red Oxide c/w Nylon Roller

