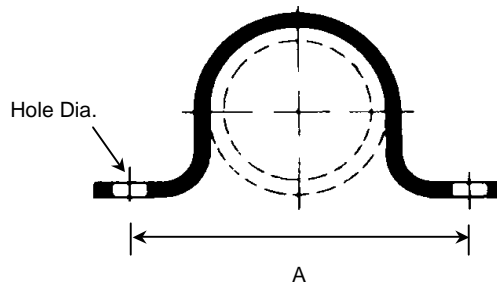


Saddle Anchor (Light Series) for Steel Pipe

B 002

Nominal Pipe Size		A	Hole Dia.	Material
Imperial	Metric			
1/2	15	60	8	25 x 3
3/4	20	71	8	25 x 3
1	25	74	8	25 x 3
1 1/4	32	94	12	30 x 3
1 1/2	40	104	12	30 x 3
2	50	114	12	30 x 3
2 1/2	65	130	12	30 x 3
3	80	153	14	40 x 3
4	100	178	14	40 x 3
5	125	219	14	40 x 5
6	150	244	14	40 x 5
7	175	288	19	50 x 6
8	200	313	19	50 x 6
9	225	338	19	50 x 6
10	250	368	19	50 x 6
12	300	418	19	50 x 6
Heavy & Larger Saddles On Request				

Standard Finish Red Oxide

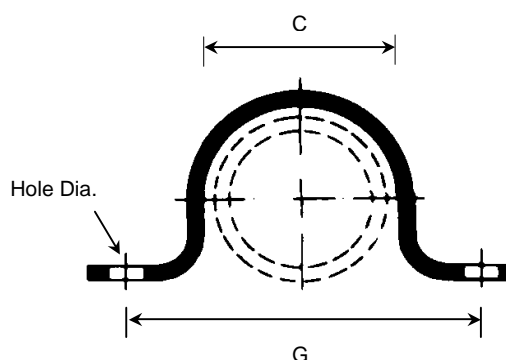


Saddle Guide (Light Series) for Steel Pipe

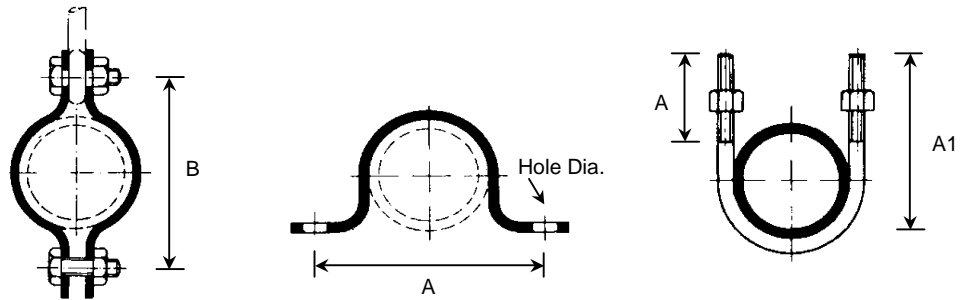
B 002

Nominal Pipe Size		G	C	Hole Dia.	Material
Imperial	Metric				
1/2	15	66	26	8	25 x 3
3/4	20	77	32	8	25 x 3
1	25	80	38	8	25 x 3
1 1/4	32	100	46	12	30 x 3
1 1/2	40	110	52	12	30 x 3
2	50	120	64	12	30 x 3
2 1/2	65	136	80	12	30 x 3
3	80	159	95	14	40 x 3
4	100	184	120	14	40 x 3
5	125	225	145	14	40 x 5
6	150	250	174	14	40 x 5
7	175	300	203	19	50 x 6
8	200	325	230	19	50 x 6
9	225	350	254	19	50 x 6
10	250	380	283	19	50 x 6
12	300	430	335	19	50 x 6
Heavy & Larger Saddles On Request					

Standard Finish Red Oxide



Supports To Suit Insulation



Insulation o/d	B 001 2 Bolt Clip			B 002 Saddle Anchor			B 003 U Bolt Standard		
	B	Material Size	Bolt Size	A	Hole Dia.	Material Size	A (Min.)	A1	Thread Size
45	96	30 x 3	m10 x 30	100	12	30 x 3	30	100	m8
54	104	30 x 3	m10 x 30	108	12	30 x 3	50	109	m8
60	110	30 x 3	m10 x 30	114	12	30 x 3	50	115	m8
65	116	30 x 3	m10 x 30	120	12	30 x 3	50	120	m8
70	120	30 x 3	m10 x 30	126	12	30 x 3	50	125	m8
76	126	30 x 3	m10 x 30	130	12	30 x 3	60	141	m10
83	133	30 x 3	m10 x 30	137	12	30 x 3	60	148	m10
89	139	30 x 3	m10 x 30	143	12	30 x 3	60	154	m10
95	145	30 x 3	m10 x 30	149	12	30 x 3	60	160	m10
102	152	30 x 3	m10 x 30	156	12	30 x 3	60	167	m10
108	158	30 x 3	m10 x 30	162	12	30 x 3	60	173	m10
114	174	40 x 3	m12 x 40	178	14	40 x 3	60	179	m10
121	181	40 x 3	m12 x 40	185	14	40 x 3	60	186	m10
127	187	40 x 3	m12 x 40	191	14	40 x 3	60	192	m10
133	193	40 x 3	m12 x 40	197	14	40 x 3	60	198	m10
139	199	40 x 3	m12 x 40	203	14	40 x 3	60	204	m10
146	206	40 x 3	m12 x 40	210	14	40 x 3	60	211	m10
152	212	40 x 3	m12 x 40	216	14	40 x 3	60	217	m10
159	219	40 x 3	m12 x 40	223	14	40 x 3	65	224	m12
168	228	40 x 3	m12 x 40	232	14	40 x 3	65	233	m12
173	233	40 x 3	m12 x 40	237	14	40 x 3	65	238	m12
178	238	40 x 3	m12 x 40	242	14	40 x 3	65	243	m12
186	256	40 x 5	m12 x 40	256	14	40 x 5	65	251	m12
193	263	40 x 5	m12 x 40	263	14	40 x 5	65	258	m12
199	269	40 x 5	m12 x 40	269	14	40 x 5	65	264	m12
208	278	40 x 5	m12 x 40	278	14	40 x 5	65	273	m12
216	286	40 x 5	m12 x 40	286	14	40 x 5	65	281	m12
225	295	40 x 5	m12 x 40	295	14	40 x 5	65	290	m12
232	302	40 x 5	m12 x 40	302	14	40 x 5	65	297	m12
244	314	40 x 5	m12 x 40	314	14	40 x 5	65	309	m12
252	322	40 x 5	m12 x 40	322	14	40 x 5	65	317	m12
259	328	40 x 5	m12 x 40	329	14	40 x 5	65	324	m12
268	337	40 x 5	m12 x 40	338	14	40 x 5	65	333	m12
273	350	50 x 6	m16 x 50	368	19	50 x 6	50	315	m16
283	360	50 x 6	m16 x 50	378	19	50 x 6	50	325	m16
290	370	50 x 6	m16 x 50	385	19	50 x 6	50	332	m16
299	380	50 x 6	m16 x 50	394	19	50 x 6	50	341	m16
308	390	50 x 6	m16 x 50	403	19	50 x 6	50	350	m16
323	400	50 x 6	m16 x 50	418	19	50 x 6	50	360	m16

Larger Sizes On Request

B 001 & B 002 Standard Finish Red Oxide

B 003 Standard Finish Zinc Plated

Other Types Of Supports Available

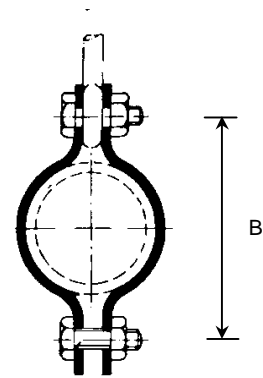
Telephone: 020 8591 9588 Facsimile: 020 8591 9540
e-mail: sales@barnvale.co.uk website: barnvale.co.uk

Split Band Clip 2 Bolt for Cast Iron Pipe

B 019

Pipe N.B. Metric	Material	Bolt Size	Cast Iron Drain BS437		Cast Iron Soil (LCC) BS416	
			Pipe Dia.	B	Pipe Dia.	B
50	30 x 3	m10 x 30	65	112	63	110
65	30 x 3	m10 x 30			76	126
75	30 x 3	m10 x 30	92	142	89	139
90	30 x 3	m10 x 30			101	152
100	40 x 3	m12 x 40	119	182	114	176
125	40 x 5	m12 x 40			140	210
150	40 x 5	m12 x 40	173	242	165	235
225	50 x 6	m16 x 50	256	337		

Standard Finish Red Oxide

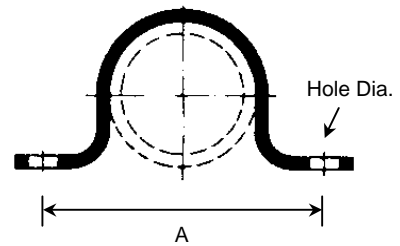


Saddle Anchor for Cast Iron Pipe

B 020

Pipe N.B. Metric	Material	Hole Dia.	Cast Iron Drain BS437		Cast Iron Soil (LCC) BS416	
			Pipe Dia.	A	Pipe Dia.	A
50	30 x 3	12	65	120	63	118
65	30 x 3	12			76	130
75	30 x 3	12	92	146	89	143
90	30 x 3	12			101	156
100	40 x 3	14	119	185	114	178
125	40 x 5	14			140	219
150	40 x 5	14	173	241	165	244
225	50 x 6	19	256	351		

Standard Finish Red Oxide

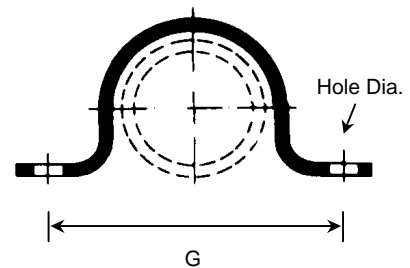


Saddle Guide for Cast Iron Pipe

B 020

Pipe N.B. Metric	Material	Hole Dia.	Cast Iron Drain BS437		Cast Iron Soil (LCC) BS416	
			Pipe Dia.	G	Pipe Dia.	G
50	30 x 3	12	65	126	63	124
65	30 x 3	12			76	136
75	30 x 3	12	92	152	89	149
90	30 x 3	12			101	162
100	40 x 3	14	119	191	114	184
125	40 x 5	14			140	225
150	40 x 5	14	173	247	165	250
225	50 x 6	19	256	363		

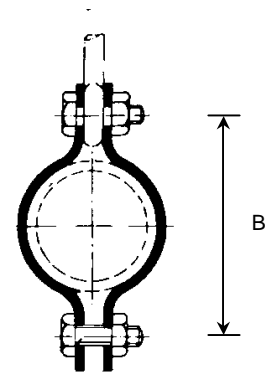
Standard Finish Red Oxide



Split Band Clip 2 Bolt for Copper Pipe

B 025

Nominal Pipe Size		B	Material	Bolt Size
Imperial	Metric			
1/2	15	50	25 x 3	m6 x 25
3/4	22	59	25 x 3	m6 x 25
1	28	65	25 x 3	m6 x 25
1 1/4	35	72	25 x 3	m6 x 25
1 1/2	42	92	30 x 3	m10 x 30
2	54	104	30 x 3	m10 x 30
2 1/2	66	116	30 x 3	m10 x 30
3	76	126	30 x 3	m10 x 30
4	108	158	30 x 3	m10 x 30
5	133	193	40 x 3	m12 x 40
6	159	219	40 x 3	m12 x 40

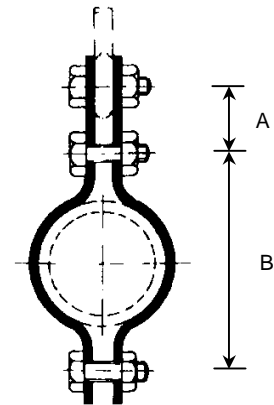


Standard Finish Nylon Coated

Split Band Clip 3 Bolt for Copper Pipe

B 025

Nominal Pipe Size		A	B	Material	Bolt Size
Imperial	Metric				
1/2	15	50	50	25 x 3	m6 x 25
3/4	22	50	59	25 x 3	m6 x 25
1	28	50	65	25 x 3	m6 x 25
1 1/4	35	50	72	25 x 3	m6 x 25
1 1/2	42	60	92	30 x 3	m10 x 30
2	54	60	104	30 x 3	m10 x 30
2 1/2	66	60	116	30 x 3	m10 x 30
3	76	60	126	30 x 3	m10 x 30
4	108	60	158	30 x 3	m10 x 30
5	133	60	193	40 x 3	m12 x 40
6	159	60	219	40 x 3	m12 x 40

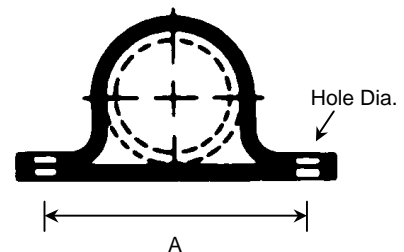


Standard Finish Nylon Coated

Saddle Anchor for Copper Pipe

B 026

Nominal Pipe Size		A	Hole Dia.	Material
Imperial	Metric			
1/2	15	53	8	25 x 3
3/4	22	60	8	25 x 3
1	28	71	8	25 x 3
1 1/4	35	74	8	25 x 3
1 1/2	42	94	12	30 x 3
2	54	108	12	30 x 3
2 1/2	66	120	12	30 x 3
3	76	130	12	30 x 3
4	108	162	12	30 x 3
5	133	197	14	40 x 3
6	159	223	14	40 x 3



Standard Finish Nylon Coated

Polypropylene strip is used to isolate copper pipe from any supporting steel structure. Please specify if required. All 40mm Wide.

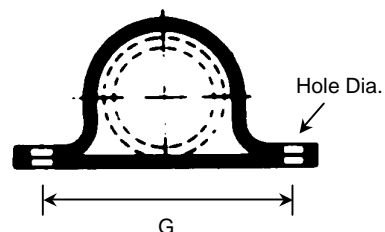
Telephone: 020 8591 9588 Facsimile: 020 8591 9540

e-mail: sales@barnvale.co.uk www.barnvale.co.uk

Saddle Guide for Copper Pipe

B 026

Nominal Pipe Size		G	Hole Dia.	Material
Imperial	Metric			
1/2	15	59	8	25 x 3
3/4	22	66	8	25 x 3
1	28	77	8	25 x 3
1 1/4	35	80	8	25 x 3
1 1/2	42	100	12	30 x 3
2	54	114	12	30 x 3
2 1/2	66	126	12	30 x 3
3	76	136	12	30 x 3
4	108	168	12	30 x 3
5	133	203	14	40 x 3
6	159	229	14	40 x 3



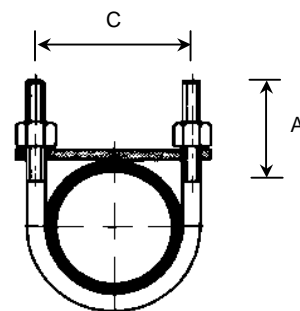
Standard Finish Nylon Coated

Polypropylene strip is used to isolate copper pipe from any supporting steel structure. Please specify if required. All 40mm Wide.

U Bolt Standard for Copper Pipe

B 027

Nominal Pipe Size		A	C	Thread Size
Imperial	Metric			
1/2	15	30	22	m6
3/4	22	30	29	m6
1	28	30	35	m6
1 1/4	35	30	42	m6
1 1/2	42	40	52	m8
2	54	40	64	m8
2 1/2	66	40	76	m8
3	76	40	88	m10
4	108	40	120	m10
5	133	40	145	m10
6	159	40	173	m12



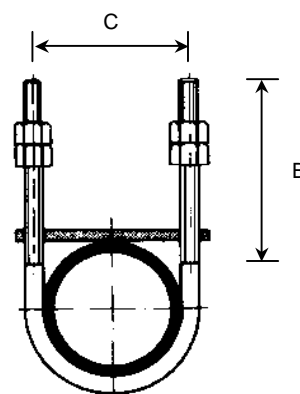
Standard Finish Nylon Coated c/w Zinc Thread

Polypropylene strip is used to isolate copper pipe from any supporting steel structure. Please specify if required. All 40mm Wide.

U Bolt Extended for Copper Pipe

B 027

Nominal Pipe Size		B	C	Thread Size
Imperial	Metric			
1/2	15	75	22	m6
3/4	22	75	29	m6
1	28	75	35	m6
1 1/4	35	85	42	m6
1 1/2	42	85	52	m8
2	54	85	64	m8
2 1/2	66	85	76	m8
3	76	85	88	m10
4	108	85	120	m10
5	133	85	145	m10
6	159	85	173	m12

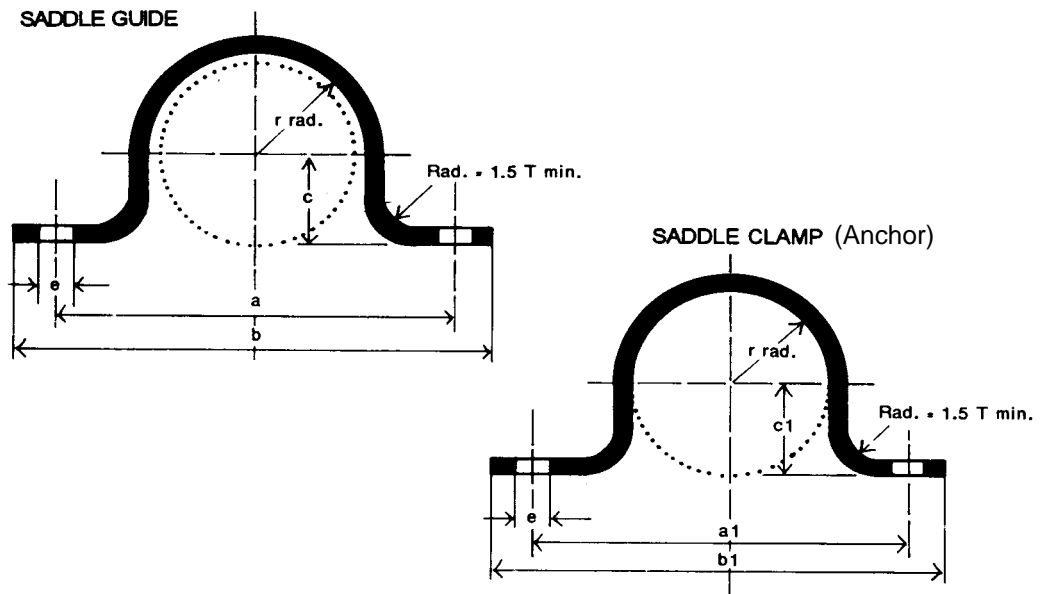


Standard Finish Nylon Coated c/w Zinc Thread

Polypropylene strip is used to isolate copper pipe from any supporting steel structure. Please specify if required. All 40mm Wide.

Telephone: 020 8591 9588 Facsimile: 020 8591 9540

e-mail: sales@barnvale.co.uk



Pipe Size		Saddle Guide						Saddle Anchor					
Nominal Bore	Outside Dia.	a	b	c	Material	r	e	a1	b1	c1	Material	r	e
mm	mm	mm	mm	mm	mm	mm	mm	mm	mm	mm	mm	mm	mm
15	21.3	106	182	10	35 x 5	11.5	12	102	178	8	35 x 5	11.5	12
20	26.9	110	186	13	35 x 5	14	12	106	180	11	35 x 5	14	12
25	33.7	114	190	16	35 x 5	18	12	110	186	14	35 x 5	18	12
32	42.4	128	204	20	35 x 8	22	15	124	200	18	35 x 8	22	15
40	48.3	158	234	23	35 x 8	25	15	154	230	21	35 x 8	25	15
50	60.3	162	238	29	35 x 8	31	15	158	234	27	35 x 8	31	15
65	76.1	178	254	36	45 x 10	40	19	170	246	32	45 x 10	40	19
80	88.9	196	274	43	45 x 10	46	19	190	266	39	45 x 10	46	19
100	114.3	216	292	55	45 x 10	59	19	206	284	51	45 x 10	59	19
125	139.7	235	320	68	60 x 10	72	24	230	312	64	60 x 10	72	24
150	168.3	272	348	82	60 x 10	86	24	264	340	78	60 x 10	86	24
175	193.7	300	376	95	55 x 15	99	24	292	368	91	55 x 15	99	24
200	219.1	324	400	107	55 x 15	112	24	316	382	103	55 x 15	112	24

Standard Finish Red Oxide