

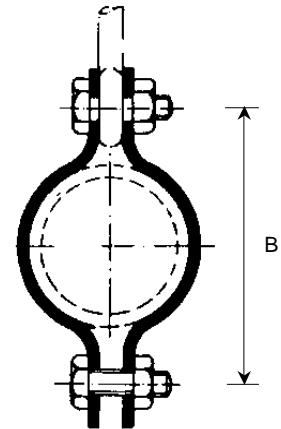
Split Band Clip 2 Bolt (Light Series) for Steel Pipe

B 001

Nominal Pipe Size		B	Material	Bolt Size
Imperial	Metric			
1/2	15	59	25 x 3	m6 x 25
3/4	20	65	25 x 3	m6 x 25
1	25	72	25 x 3	m6 x 25
1 1/4	32	92	30 x 3	m10 x 30
1 1/2	40	98	30 x 3	m10 x 30
2	50	110	30 x 3	m10 x 30
2 1/2	65	126	30 x 3	m10 x 30
3	80	149	40 x 3	m10 x 30
4	100	174	40 x 3	m12 x 40
5	125	210	40 x 5	m12 x 40
6	150	235	40 x 5	m12 x 40
7	175	275	50 x 6	m16 x 50
8	200	300	50 x 6	m16 x 50
9	225	325	50 x 6	m16 x 50
10	250	350	50 x 6	m16 x 50
12	300	400	50 x 6	m16 x 50

Heavy & Larger Split Band Clips On Request

15mm - 25mm Standard Finish Zinc Plated
32mm - 300mm Standard Finish Red Oxide



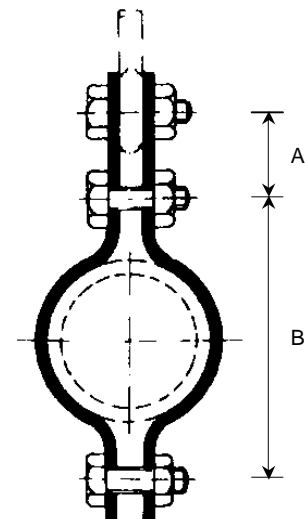
Split Band Clip 3 Bolt (Light Series) for Steel Pipe

B 001

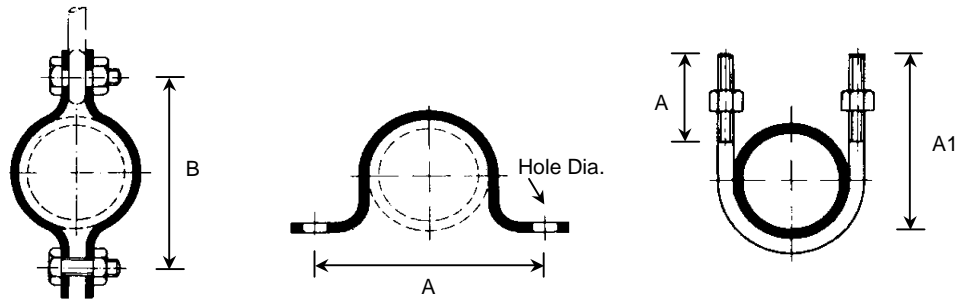
Nominal Pipe Size		A	B	Material	Bolt Size
Imperial	Metric				
1/2	15	50	59	25 x 3	m6 x 25
3/4	20	50	65	25 x 3	m6 x 25
1	25	50	72	25 x 3	m6 x 25
1 1/4	32	60	92	30 x 3	m10 x 30
1 1/2	40	60	98	30 x 3	m10 x 30
2	50	60	110	30 x 3	m10 x 30
2 1/2	65	60	126	30 x 3	m10 x 30
3	80	60	149	40 x 3	m10 x 30
4	100	60	174	40 x 3	m12 x 40
5	125	80	210	40 x 5	m12 x 40
6	150	80	235	40 x 5	m12 x 40
7	175	90	275	50 x 6	m16 x 50
8	200	90	300	50 x 6	m16 x 50
9	225	90	325	50 x 6	m16 x 50
10	250	90	350	50 x 6	m16 x 50
12	300	90	400	50 x 6	m16 x 50

Heavy & Larger Split Band Clips On Request

15mm - 25mm Standard Finish Zinc Plated
32mm - 300mm Standard Finish Red Oxide



Supports To Suit Insulation



Insulation o/d	B 001 2 Bolt Clip			B 002 Saddle Anchor			B 003 U Bolt Standard		
	B	Material Size	Bolt Size	A	Hole Dia.	Material Size	A (Min.)	A1	Thread Size
45	96	30 x 3	m10 x 30	100	12	30 x 3	30	100	m8
54	104	30 x 3	m10 x 30	108	12	30 x 3	50	109	m8
60	110	30 x 3	m10 x 30	114	12	30 x 3	50	115	m8
65	116	30 x 3	m10 x 30	120	12	30 x 3	50	120	m8
70	120	30 x 3	m10 x 30	126	12	30 x 3	50	125	m8
76	126	30 x 3	m10 x 30	130	12	30 x 3	60	141	m10
83	133	30 x 3	m10 x 30	137	12	30 x 3	60	148	m10
89	139	30 x 3	m10 x 30	143	12	30 x 3	60	154	m10
95	145	30 x 3	m10 x 30	149	12	30 x 3	60	160	m10
102	152	30 x 3	m10 x 30	156	12	30 x 3	60	167	m10
108	158	30 x 3	m10 x 30	162	12	30 x 3	60	173	m10
114	174	40 x 3	m12 x 40	178	14	40 x 3	60	179	m10
121	181	40 x 3	m12 x 40	185	14	40 x 3	60	186	m10
127	187	40 x 3	m12 x 40	191	14	40 x 3	60	192	m10
133	193	40 x 3	m12 x 40	197	14	40 x 3	60	198	m10
139	199	40 x 3	m12 x 40	203	14	40 x 3	60	204	m10
146	206	40 x 3	m12 x 40	210	14	40 x 3	60	211	m10
152	212	40 x 3	m12 x 40	216	14	40 x 3	60	217	m10
159	219	40 x 3	m12 x 40	223	14	40 x 3	65	224	m12
168	228	40 x 3	m12 x 40	232	14	40 x 3	65	233	m12
173	233	40 x 3	m12 x 40	237	14	40 x 3	65	238	m12
178	238	40 x 3	m12 x 40	242	14	40 x 3	65	243	m12
186	256	40 x 5	m12 x 40	256	14	40 x 5	65	251	m12
193	263	40 x 5	m12 x 40	263	14	40 x 5	65	258	m12
199	269	40 x 5	m12 x 40	269	14	40 x 5	65	264	m12
208	278	40 x 5	m12 x 40	278	14	40 x 5	65	273	m12
216	286	40 x 5	m12 x 40	286	14	40 x 5	65	281	m12
225	295	40 x 5	m12 x 40	295	14	40 x 5	65	290	m12
232	302	40 x 5	m12 x 40	302	14	40 x 5	65	297	m12
244	314	40 x 5	m12 x 40	314	14	40 x 5	65	309	m12
252	322	40 x 5	m12 x 40	322	14	40 x 5	65	317	m12
259	328	40 x 5	m12 x 40	329	14	40 x 5	65	324	m12
268	337	40 x 5	m12 x 40	338	14	40 x 5	65	333	m12
273	350	50 x 6	m16 x 50	368	19	50 x 6	50	315	m16
283	360	50 x 6	m16 x 50	378	19	50 x 6	50	325	m16
290	370	50 x 6	m16 x 50	385	19	50 x 6	50	332	m16
299	380	50 x 6	m16 x 50	394	19	50 x 6	50	341	m16
308	390	50 x 6	m16 x 50	403	19	50 x 6	50	350	m16
323	400	50 x 6	m16 x 50	418	19	50 x 6	50	360	m16

Larger Sizes On Request

B 001 & B 002 Standard Finish Red Oxide

B 003 Standard Finish Zinc Plated

Other Types Of Supports Available

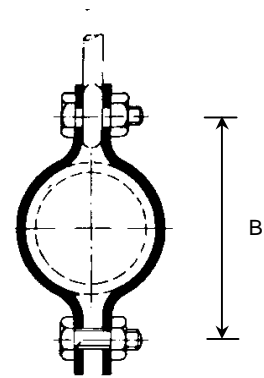
Telephone: 020 8591 9588 Facsimile: 020 8591 9540
e-mail: sales@barnvale.co.uk website: barnvale.co.uk

Split Band Clip 2 Bolt for Cast Iron Pipe

B 019

Pipe N.B. Metric	Material	Bolt Size	Cast Iron Drain BS437		Cast Iron Soil (LCC) BS416	
			Pipe Dia.	B	Pipe Dia.	B
50	30 x 3	m10 x 30	65	112	63	110
65	30 x 3	m10 x 30			76	126
75	30 x 3	m10 x 30	92	142	89	139
90	30 x 3	m10 x 30			101	152
100	40 x 3	m12 x 40	119	182	114	176
125	40 x 5	m12 x 40			140	210
150	40 x 5	m12 x 40	173	242	165	235
225	50 x 6	m16 x 50	256	337		

Standard Finish Red Oxide

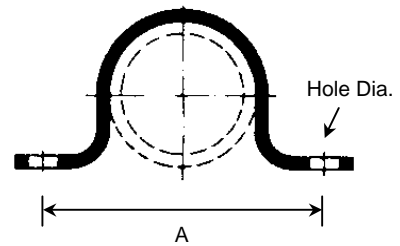


Saddle Anchor for Cast Iron Pipe

B 020

Pipe N.B. Metric	Material	Hole Dia.	Cast Iron Drain BS437		Cast Iron Soil (LCC) BS416	
			Pipe Dia.	A	Pipe Dia.	A
50	30 x 3	12	65	120	63	118
65	30 x 3	12			76	130
75	30 x 3	12	92	146	89	143
90	30 x 3	12			101	156
100	40 x 3	14	119	185	114	178
125	40 x 5	14			140	219
150	40 x 5	14	173	241	165	244
225	50 x 6	19	256	351		

Standard Finish Red Oxide

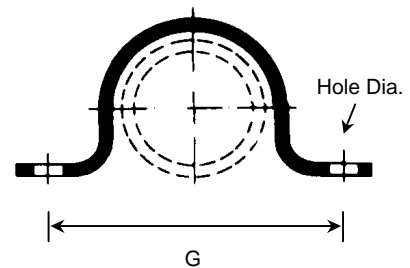


Saddle Guide for Cast Iron Pipe

B 020

Pipe N.B. Metric	Material	Hole Dia.	Cast Iron Drain BS437		Cast Iron Soil (LCC) BS416	
			Pipe Dia.	G	Pipe Dia.	G
50	30 x 3	12	65	126	63	124
65	30 x 3	12			76	136
75	30 x 3	12	92	152	89	149
90	30 x 3	12			101	162
100	40 x 3	14	119	191	114	184
125	40 x 5	14			140	225
150	40 x 5	14	173	247	165	250
225	50 x 6	19	256	363		

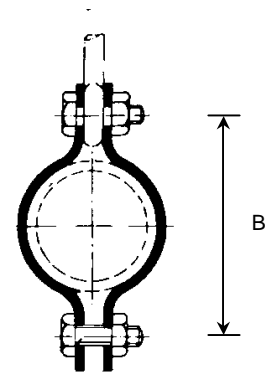
Standard Finish Red Oxide



Split Band Clip 2 Bolt for Copper Pipe

B 025

Nominal Pipe Size		B	Material	Bolt Size
Imperial	Metric			
1/2	15	50	25 x 3	m6 x 25
3/4	22	59	25 x 3	m6 x 25
1	28	65	25 x 3	m6 x 25
1 1/4	35	72	25 x 3	m6 x 25
1 1/2	42	92	30 x 3	m10 x 30
2	54	104	30 x 3	m10 x 30
2 1/2	66	116	30 x 3	m10 x 30
3	76	126	30 x 3	m10 x 30
4	108	158	30 x 3	m10 x 30
5	133	193	40 x 3	m12 x 40
6	159	219	40 x 3	m12 x 40

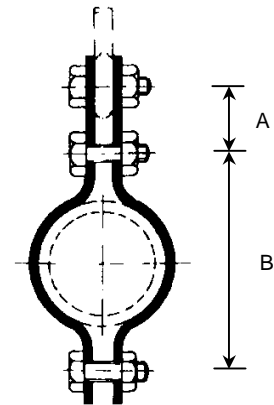


Standard Finish Nylon Coated

Split Band Clip 3 Bolt for Copper Pipe

B 025

Nominal Pipe Size		A	B	Material	Bolt Size
Imperial	Metric				
1/2	15	50	50	25 x 3	m6 x 25
3/4	22	50	59	25 x 3	m6 x 25
1	28	50	65	25 x 3	m6 x 25
1 1/4	35	50	72	25 x 3	m6 x 25
1 1/2	42	60	92	30 x 3	m10 x 30
2	54	60	104	30 x 3	m10 x 30
2 1/2	66	60	116	30 x 3	m10 x 30
3	76	60	126	30 x 3	m10 x 30
4	108	60	158	30 x 3	m10 x 30
5	133	60	193	40 x 3	m12 x 40
6	159	60	219	40 x 3	m12 x 40

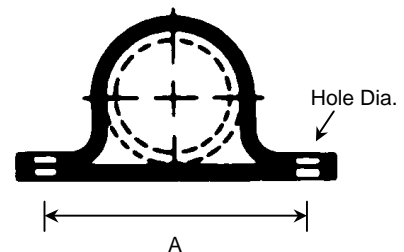


Standard Finish Nylon Coated

Saddle Anchor for Copper Pipe

B 026

Nominal Pipe Size		A	Hole Dia.	Material
Imperial	Metric			
1/2	15	53	8	25 x 3
3/4	22	60	8	25 x 3
1	28	71	8	25 x 3
1 1/4	35	74	8	25 x 3
1 1/2	42	94	12	30 x 3
2	54	108	12	30 x 3
2 1/2	66	120	12	30 x 3
3	76	130	12	30 x 3
4	108	162	12	30 x 3
5	133	197	14	40 x 3
6	159	223	14	40 x 3



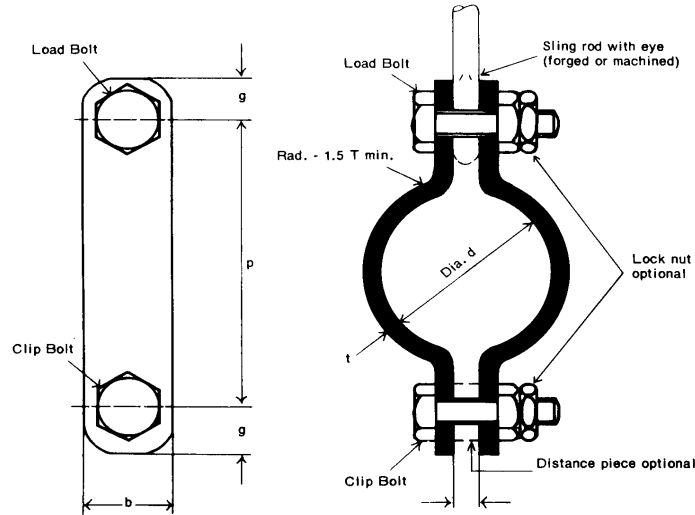
Standard Finish Nylon Coated

Polypropylene strip is used to isolate copper pipe from any supporting steel structure. Please specify if required. All 40mm Wide.

Split Band Clip 2 Bolt

BS 3974: Part 1: 1974

B 101



Pipe Size		Sling Rod Dia.	Light Series							Safe Workig Load Kg	Sling Rod Dia.	Heavy Series							Safe Workig Load Kg
Nominal Bore	Outside Dia.		Dia. d	Material b x t	Dim. p	H.T Bolt	Hole Dia.	g	Dia. d			Material b x t	Dim. p	H.T Bolt	Hole Dia.	g			
15	21.3		Use Heavy Series								10	23	35 x 5	65	m10	12	15	280	
20	26.9										10	28	35 x 5	70	m10	12	15	280	
25	33.7										10	36	35 x 5	75	m10	12	15	280	
32	42.4										12	44	35 x 5	90	m12	15	18	280	
40	48.3										12	50	35 x 5	95	m12	15	18	280	
50	60.3										12	62	35 x 5	105	m12	15	18	280	
65	76.1	12	80	35 x 5	125	m12	15	18	165	16	80	35 x 8	155	m16	19	24	450		
80	88.9	12	92	35 x 5	135	m12	15	18	165	16	92	35 x 8	165	m16	19	24	450		
100	114.3	12	118	35 x 5	170	m12	15	18	165	16	118	35 x 8	190	m16	19	24	450		
125	139.7	16	144	35 x 5	195	m16	19	24	280	16	144	35 x 8	215	m16	19	24	450		
150	168.3	16	172	35 x 5	225	m16	19	24	280	16	172	35 x 8	245	m16	19	24	450		
175	193.7	16	198	35 x 8	270	m16	19	24	450	16	198	45 x 10	280	m16	19	24	900		
200	219.1	16	224	35 x 8	295	m16	19	24	450	16	224	45 x 10	305	m16	19	24	900		
225	244.5	16	248	35 x 8	320	m16	19	24	450	20	248	60 x 10	340	m20	24	30	1350		
250	273.0	16	278	35 x 8	350	m16	19	24	450	20	278	60 x 10	365	m20	24	30	1350		
300	323.9	20	330	45 x 10	420	m20	24	30	900	24	330	55 x 15	455	m24	28	36	1800		
350	355.6	24	362	55 x 10	460	m24	28	36	900	30	362	55 x 15	500	m30	35	45	2250		
400	406.4	24	412	60 x 15	535	m24	28	36	1350	30	412	65 x 20	575	m30	35	45	2700		
450	457.0	30	464	65 x 20	625	m30	35	45	2250	36	464	80 x 20	635	m36	42	54	3600		
500	508.0	30	516	65 x 20	675	m30	35	45	2250	36	516	90 x 25	715	m36	42	54	4500		
550	559.0	30	566	65 x 20	725	m30	35	45	2250	36	566	90 x 25	765	m36	42	54	4500		
600	610.0	30	618	80 x 20	780	m30	35	45	2700	42	618	110 x 25	830	m42	48	63	5900		

Standard Finish Red Oxide

Split Band Clip for Cast Iron Pipe 2 Bolt

B 102

Details On Request

Split Band Clip for Steel Pipe 3 Bolt

B 103

Details On Request

Split Band Clip for Steel Pipe 3 Bolt (To Suit High Temperature)

B 104

Details On Request

Telephone: 020 8591 9588 Facsimile: 020 8591 9540
 e-mail: sales@barnvale.co.uk website: www.barnvale.co.uk