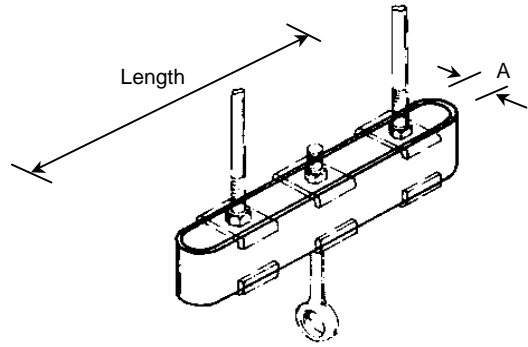


# Standard Gang Hanger

B 031

Length	A	Material	A	Material
150	18	40 x 5	18	50 x 6
300	18	40 x 5	18	50 x 6
450	18	40 x 5	18	50 x 6
600	18	40 x 5	18	50 x 6
750	18	40 x 5	18	50 x 6
1000	18	40 x 5	18	50 x 6
1250	18	40 x 5	18	50 x 6
1500	18	40 x 5	18	50 x 6

Standard Finish Red Oxide

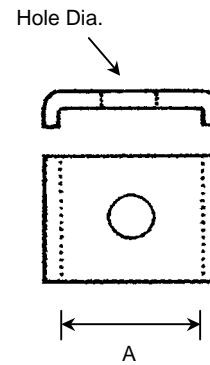


# Bridge Piece

B 032

Ref.	A	Hole Dia.	Material
1	33	8	27 x 3
2	33	10	27 x 3
3	33	12	27 x 3
4	33	14	27 x 3
5	33	17	27 x 3

Standard Finish Zinc Plated



# Wall Gang Hanger

B 033

Length	Material	Fixing Hole	Material	Fixing Hole
150	40 x 5	15	50 x 6	15
225	40 x 5	15	50 x 6	15
300	40 x 5	15	50 x 6	15
375	40 x 5	15	50 x 6	19
450	40 x 5	15	50 x 6	19
600	40 x 5	15	50 x 6	19

Standard Finish Red Oxide

