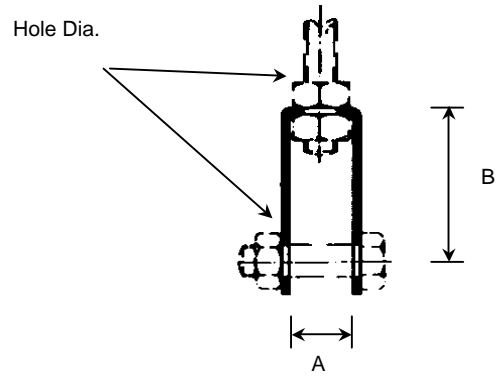


Link Eye

B 035

Ref.	A	B	Hole Dia.	Material
1	12	45	8	10 x 1.5
2	20	45	13	10 x 1.5
3	20	45	13	10 x 1.5
4	30	55	19	10 x 3

Standard Finish Pre-Galvanized Material Ref: 1, 2 & 3
 Standard Finish Red Oxide Ref: 4

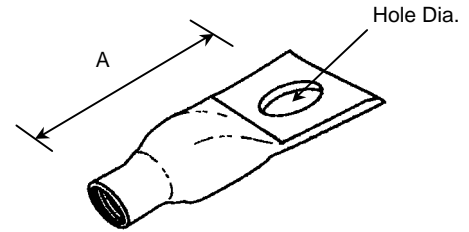


Threaded Link Eye

B 072

Thread Size	A	Hole Dia.
m8	40	10
m10	45	11
m12	45	13

Standard Finish Zinc Plated



Double Link Eye

B 073

Ref.	Hole Centres	Material
1	75, 150, 250 & 300	25 x 3
2	75, 150, 250 & 300	30 x 3
3	75, 150, 250 & 300	40 x 3
4	75, 150, 250 & 300	40 x 5
5	75, 150, 250 & 300	50 x 6

Standard Finish Red Oxide

